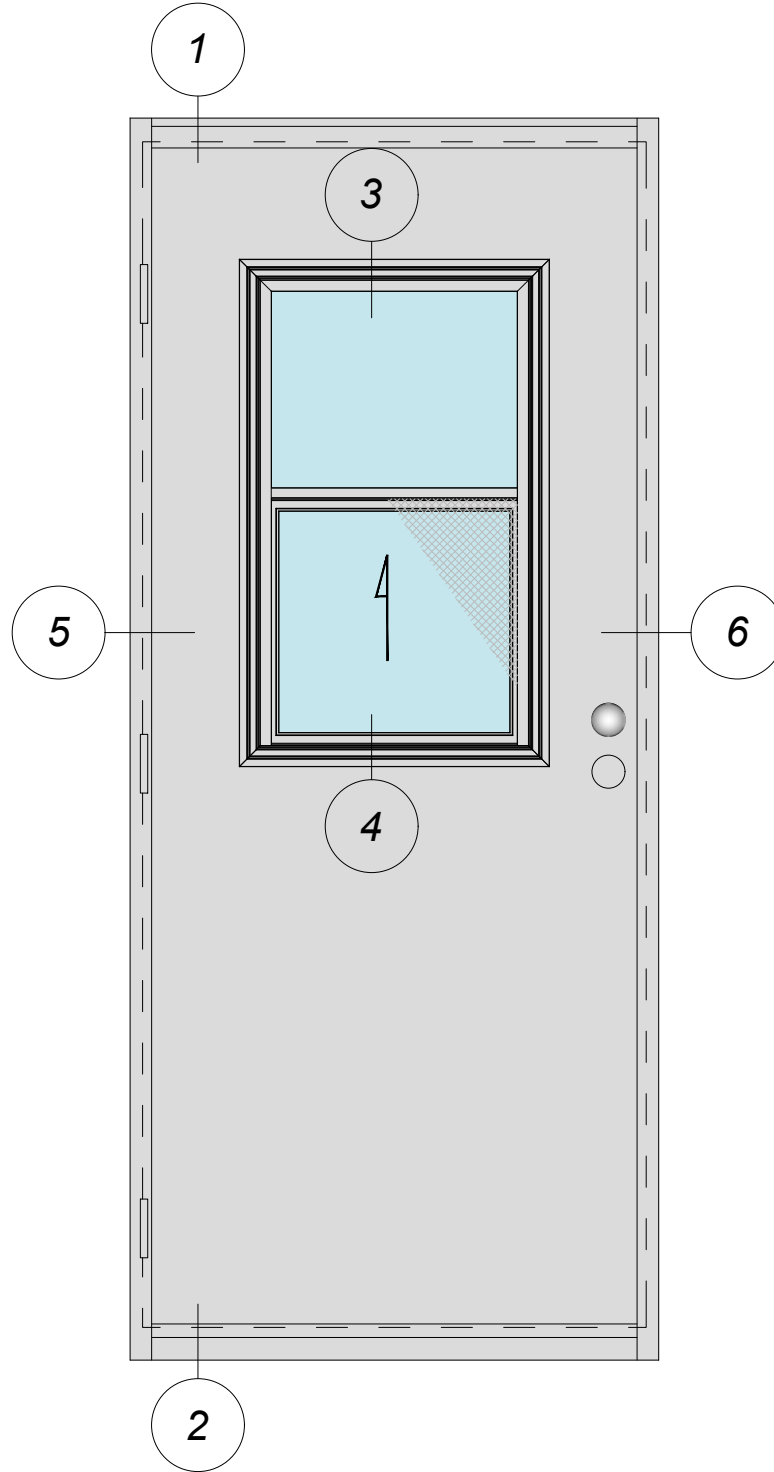


REGAL DOOR-INSWING-2236-VENT

OUTSIDE ELEVATION



THERMALLY-BROKEN ALUMINUM FRAME + STEEL INSULATED SLAB

Manufacturer: Regal Aluminum Windows and Railings

Series: AD-5000

Name: (AD105) Inswing Door-2236-Vent

Drawing reference: AD105-01

Project: REGAL AD

Drawing Type: Category

Date: 26/11/2020

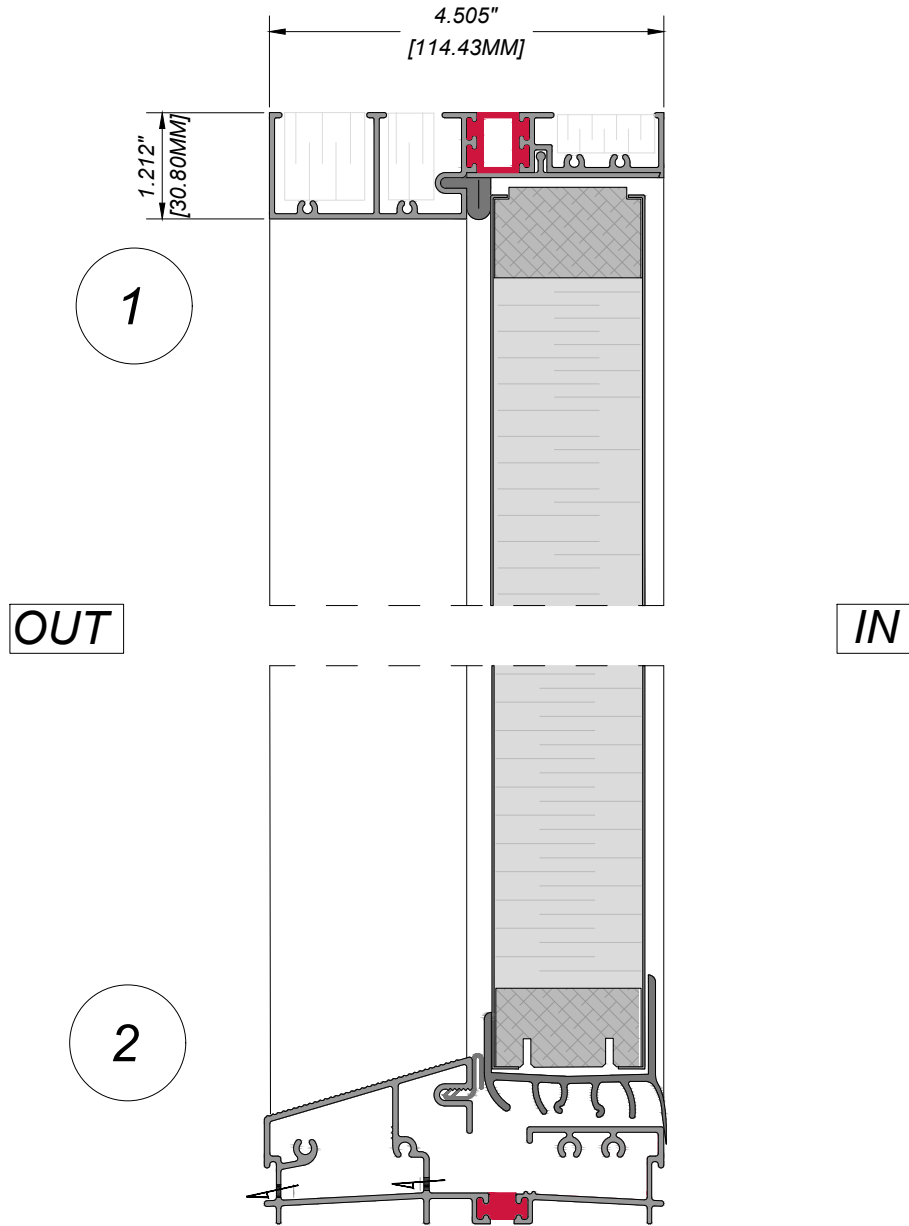


177 Drumlin Circle, Concord, ON L4K 3E7
T. 905-738-4375 • 1-800-732-3339

regalaluminum.com | sales@regalaluminum.com

REGAL DOOR-INSWING-2236-VENT
 HEAD & SILL DETAILS

VERTICAL
 SECTION



THERMALLY-BROKEN ALUMINUM FRAME + STEEL INSULATED SLAB

Manufacturer: Regal Aluminum Windows and Railings

Series: AD-5000

Project: REGAL AD

Name: (AD105) Inswing Door-2236-Vent

Drawing Type: Category

Drawing reference: AD105-02

Date: 26/11/2020



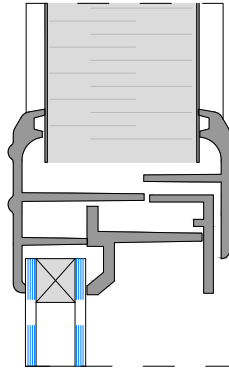
177 Drumlin Circle, Concord, ON L4K 3E7
 T. 905-738-4375 • 1-800-732-3339

regalaluminum.com | sales@regalaluminum.com

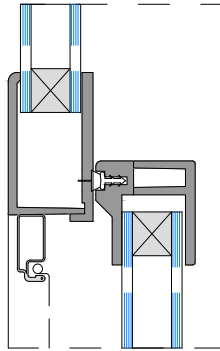
REGAL DOOR-INSWING-2236-VENT
 VENT FRAME DETAILS

VERTICAL
 SECTION

3

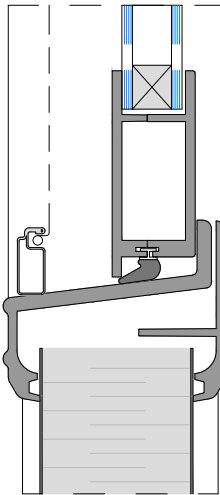


OUT



IN

4



THERMALLY-BROKEN ALUMINUM FRAME + STEEL INSULATED SLAB

Manufacturer: Regal Aluminum Windows and Railings

Series: AD-5000

Project: REGAL AD

Name: (AD105) Inswing Door-2236-Vent

Drawing Type: Category

Drawing reference: AD105-03

Date: 26/11/2020



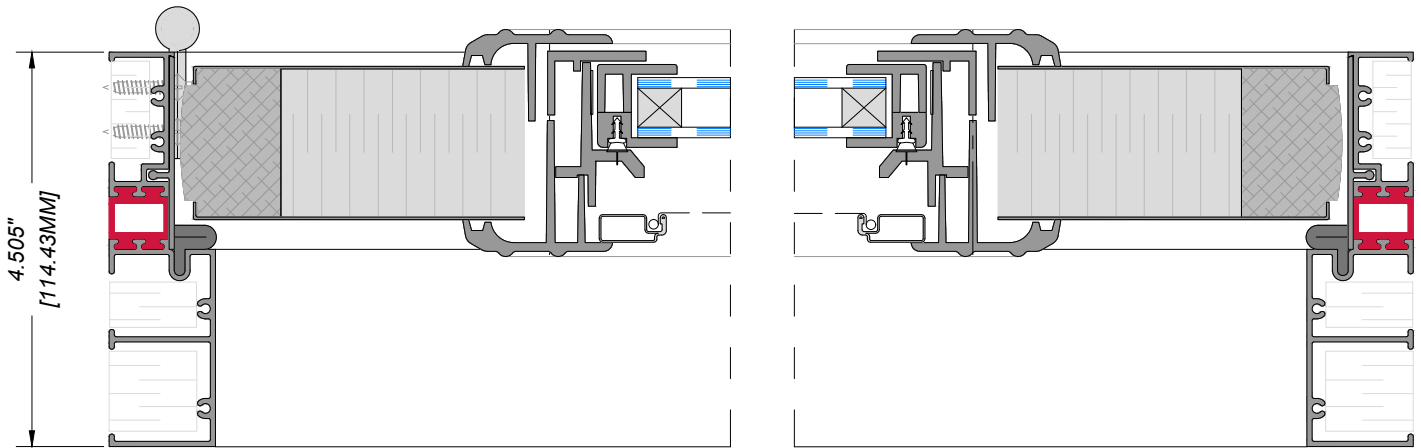
177 Drumlin Circle, Concord, ON L4K 3E7
 T. 905-738-4375 • 1-800-732-3339

regalaluminum.com | sales@regalaluminum.com

REGAL DOOR-INSWING-2236-VENT
 JAMB DOOR DETAILS

HORIZONTAL
 SECTION

IN



OUT

5

6

THERMALLY-BROKEN ALUMINUM FRAME + STEEL INSULATED SLAB

Manufacturer: Regal Aluminum Windows and Railings

Series: AD-5000

Project: REGAL AD

Name: (AD105) Inswing Door-2236-Vent

Drawing Type: Category

Drawing reference: AD105-04

Date: 26/11/2020



177 Drumlin Circle, Concord, ON L4K 3E7
 T. 905-738-4375 • 1-800-732-3339

regalaluminum.com | sales@regalaluminum.com